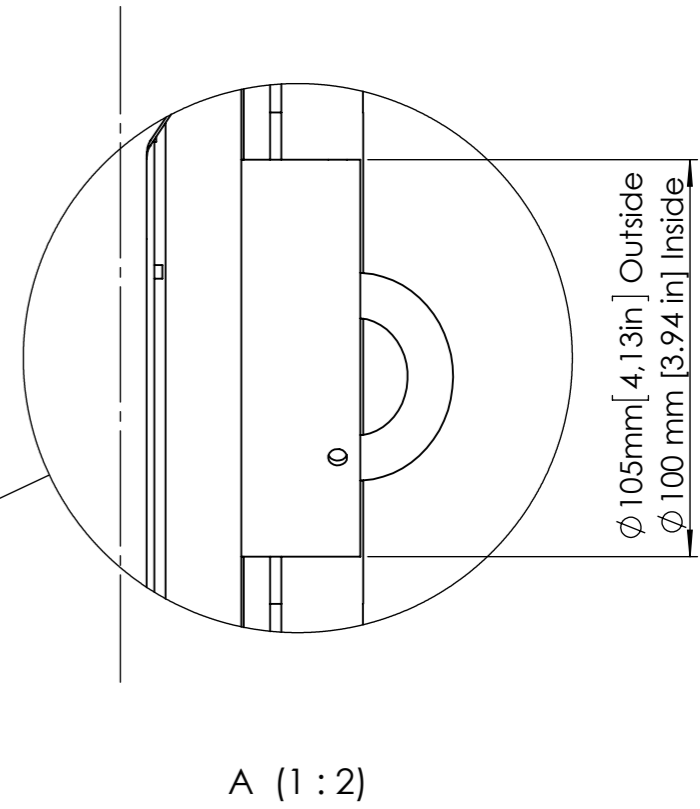
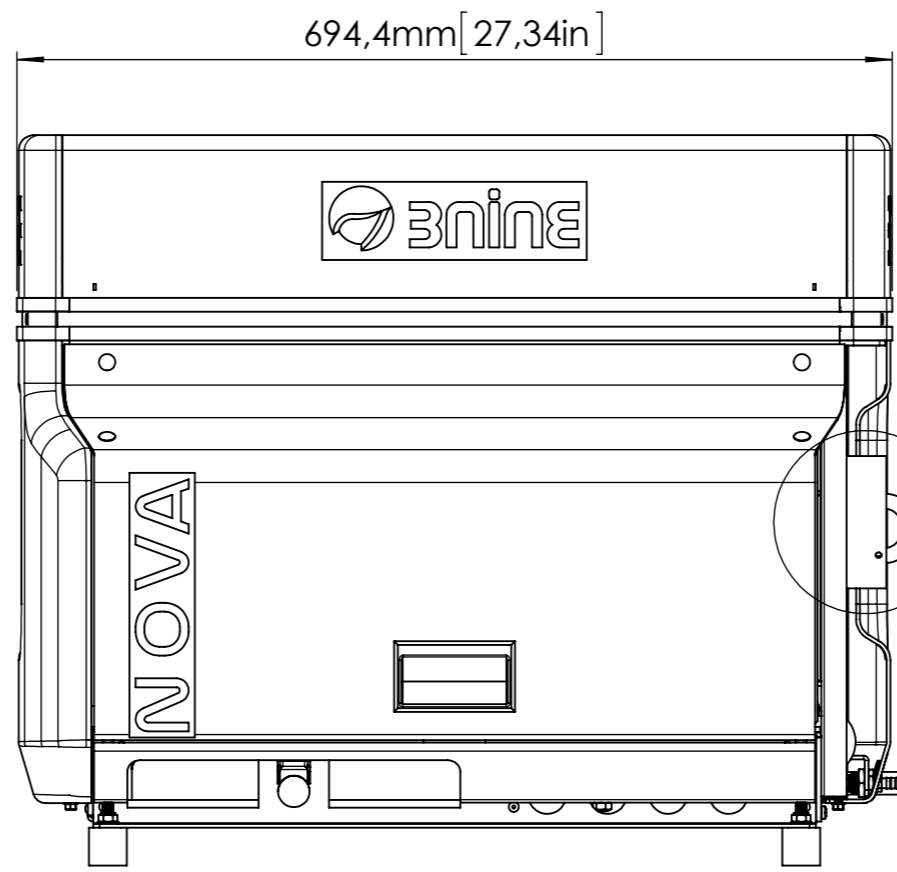
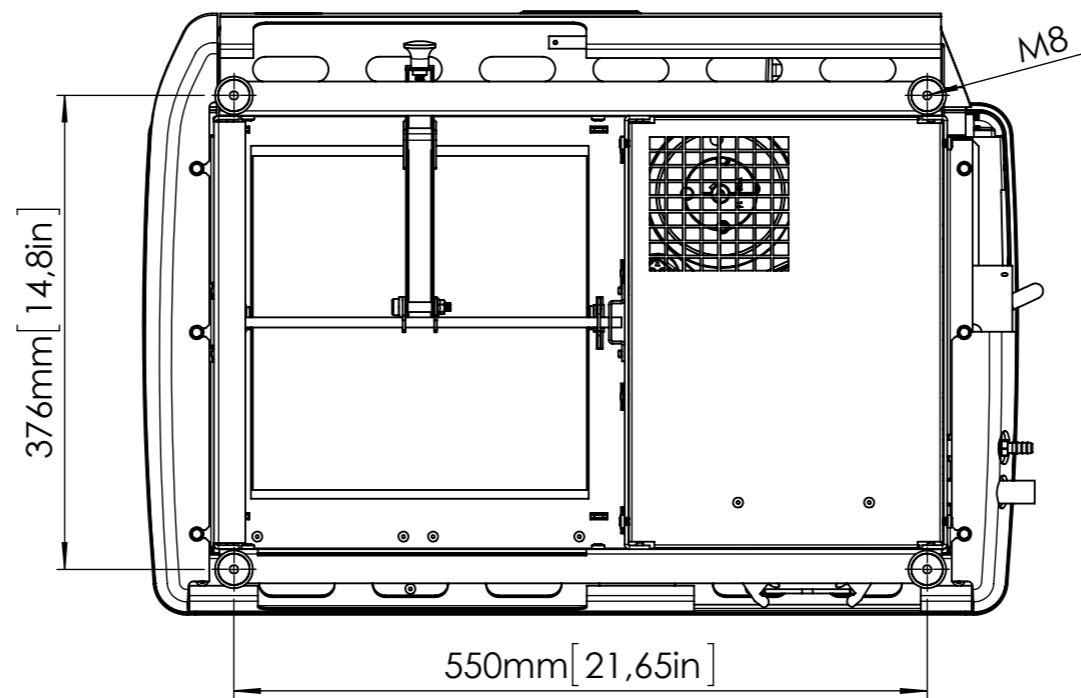
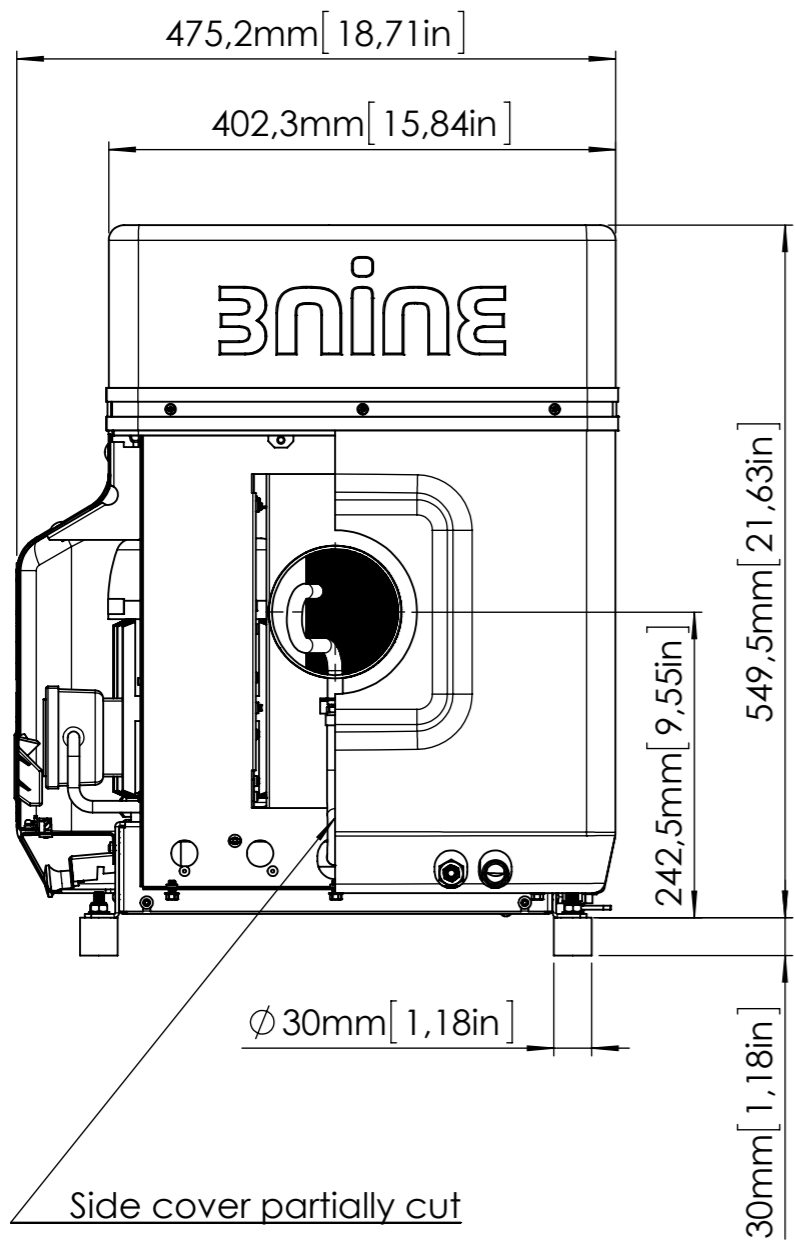


This document is property of 3nine AB, and may not without our written permission be copied, imparted to a third party, or used for any unauthorized purpose.



Surface conditioning	Heat treatment	Scale
General tolerance SS-ISO 2768	General roughness, Ra	1:6
Drawn 2012-12-07 AGO	Denomination	Nova Basic Dimension drawing
Check. Sign		
Article nr.		Drawing nr. Sheet 1 of 1 Mod. A
DD142-670		

A B C D E F G H

6
5
4
3
2
1