

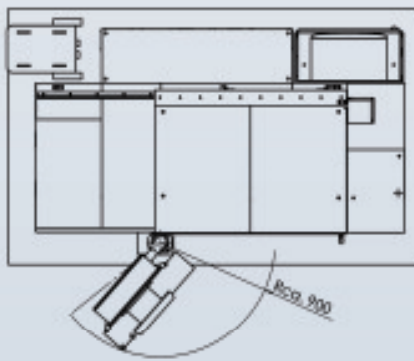
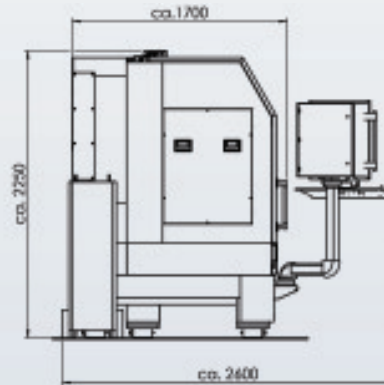
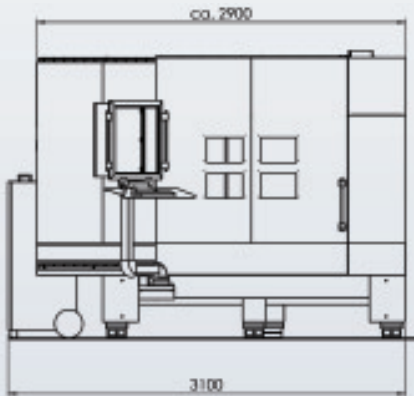


Pulsaris 800

The Pulsaris 800 is the perfect partner for the production of dies, engravings, labels and complex, fine structures. Cubic as well as cylindrical work pieces can be manufactured with the LANG laser machine Pulsaris 800 and it allows the tool free and contactless engraving and marking in hardened and non hardened steel and other metals and materials. The machine is equipped with a table with T-Slots, which allows different clamping methods. With the laser technology it is possible to achieve finest structures, which can't be obtained by traditional engraving systems. The labeling or engravings of deep areas of your work piece are possible with this unique laser machine, too.

Standard equipment

- T-Slots table for a universal clamping
- Maintenance free fiber laser (40 W)
- F-Theta objective $f = 80 \text{ mm}$, telecentric (Standard)
- Integrated camera system for the automatic detection of the position and for the measuring and adjusting of the work piece
- Stepper motor controller LNC compact
- Data backup package
- LDriver 6



Technical data

Machine type	Pulsaris 800
Working range X x Y x Z [mm]	800 x 600 x 300 (referring to middle of work piece and focus)
Feed rate max [m/min]	3,0
Maximum load capacity [kg]	300
Dimensions L x W x H [mm]	2.900 x 2.600 x 2.250
Weight of machine [kg]	4.400
Controller	LNC compact
Output software	LDriver
Standard laser unit	
Laser medium	Fiber laser
Wavelength [nm]	1064
Power in ground mode (TEM00) [W]	40
Cooling system	Air-cooled
Pulse rate [kHz]	20 - 500
Optical Z-axis [mm]	+/- 2,5 (traverse path with 80mm-objective)
F-Theta objective [mm]	f=80, telecentric
Scan field [mm]	max 45 x 45
Scan field in clipping mode [mm]	35 x 35 (A - axis, depends on work piece diameter)
Smallest spot size [µm]	ca. 42
Working distance [mm]	79 (objective bottom edge - work piece)
Measuring system	Glass scales optional available